



AC-10



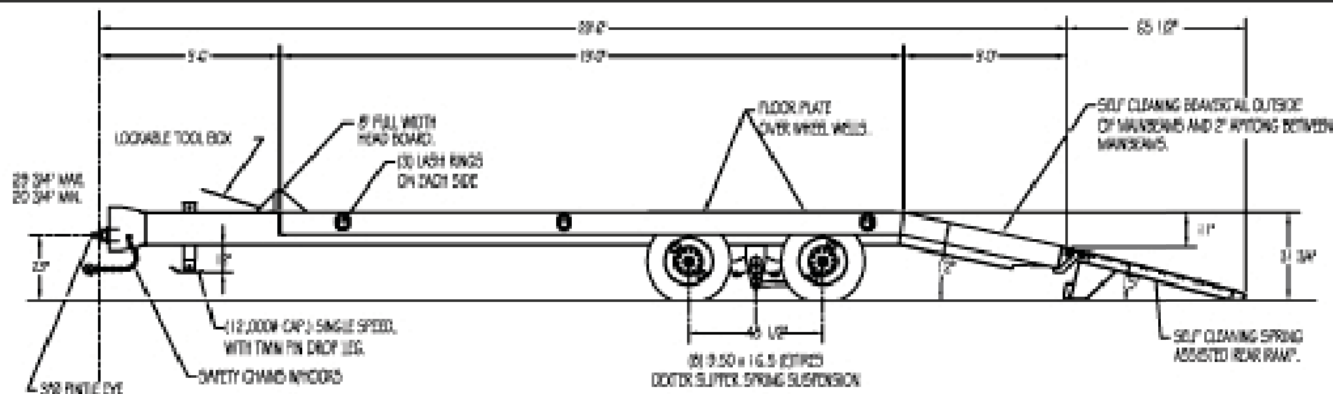
AC-20

LOCKABLE TOOL BOX AND ADJUSTABLE
PINTLE EYE

OPTIONAL PAVER TILT BED MODELS
AVAILABLE

OPTIONAL GOOSENECK DESIGN WITH FIXED OR
TILT DECK AVAILABLE

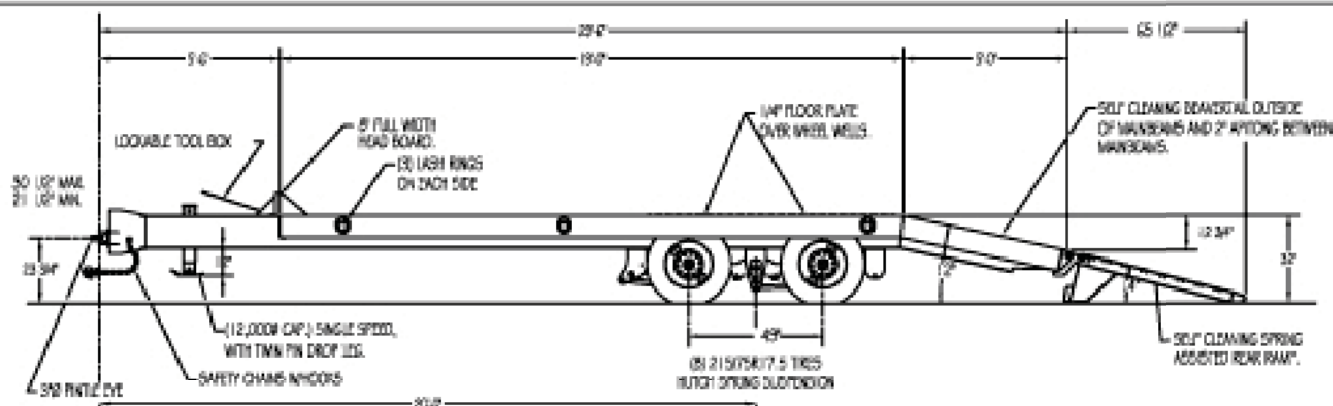




AUSTIN CARRY ALL AC - 10

CAPACITY 20,000#
 ADJUSTABLE 3' PINTLE EYE
 SAFETY CHAINS WITH HOOKS
 12,000# CAPACITY SINGLE SPEED DROP LEG
 LOCKABLE TOOL BOX
 8" HEAD BOARD
 24'-0" DECK (19'-0" FLAT; 5'-0" BEAVERTAIL)
 3 1/4" LOADED DECK HEIGHT
 FLOOR PLATE OVER WHEEL WELLS

SELF CLEANING BEAVERTAIL OUTSIDE OF MAINBEAMS
 2" APITONG BETWEEN MAINBEAMS ON BEAVERTAIL
 TIRES: (8) 9.50 X 16.5 (E)
 WHEELS: (8) 16.5 X 6.75 STEEL DISC WITH ELECTRIC BRAKES
 SELF CLEANING SPRING ASSISTED REAR RAMP
 DEXTER SLIPPER SPRING SUSPENSION (20,000# CAPACITY)
 3 LASH RINGS EACH SIDE
 TRAILER REQUIRES PIGTAIL BETWEEN TRUCK AND TRAILER (OPTIONAL)
 HARDWOOD FLOORING (APITONG FLOORING OPTIONAL)



AUSTIN CARRY ALL AC - 20

CAPACITY 40,000#
 ADJUSTABLE 3' PINTLE EYE
 SAFETY CHAINS WITH HOOKS
 12,000# CAPACITY SINGLE SPEED DROP LEG
 LOCKABLE TOOL BOX
 8" HEAD BOARD
 24'-0" DECK (19'-0" FLAT; 5'-0" BEAVERTAIL)
 3'2" LOADED DECK HEIGHT
 1/4" FLOOR PLATE OVER WHEEL WELLS

SELF CLEANING BEAVERTAIL OUTSIDE OF MAINBEAMS
 2" APITONG BETWEEN MAINBEAMS ON BEAVERTAIL
 TIRES: 21.5/75R17.5
 WHEELS: CAST SPOKE
 SELF CLEANING SPRING ASSISTED REAR RAMP
 HUTCH SPRING SUSPENSION
 3 LASH RINGS EACH SIDE
 TRAILER REQUIRES PIGTAIL BETWEEN TRUCK AND TRAILER (OPTIONAL)
 HARDWOOD FLOORING (APITONG FLOORING OPTIONAL)



NOTE: All Specifications Subject To Change Without Notice. All Weights And Dimensions
 Approximate - Shown In A Fully Loaded Position
 Platform Heights Will Increase If Loaded At Less Than Full Capacity

ILoca Services, Inc.
 Full Service Semi Trailer Dealer

Sales Service Parts Rentals Leasing

www.semitrailers.net

1-888-736-4826