



AC3-25



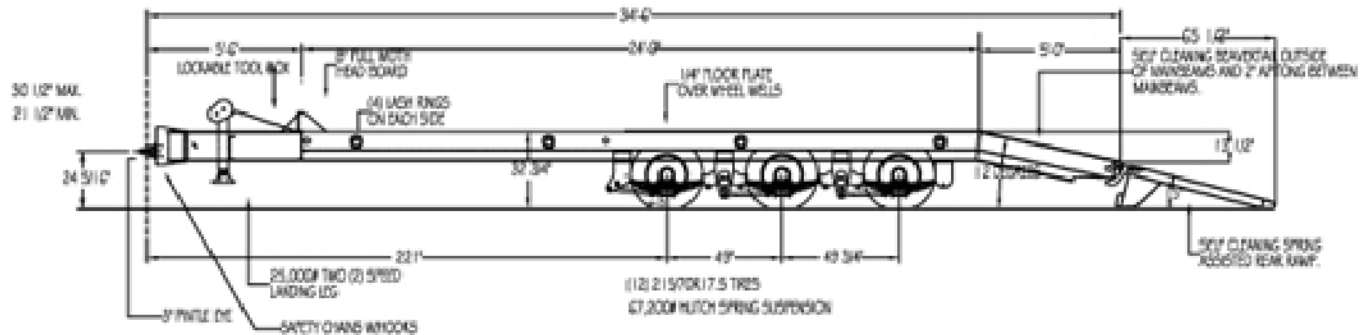
25 TON TAG TRAILER

LOCKABLE TOOL BOX IN TONGUE OF TRAILER

TRACTION BAR RAMPS AND BEAVERTAIL ARE STANDARD, WOOD FILLED AVAILABLE

FULL WIDTH GOOSENECK AVAILABLE





AC3-25

CAPACITY 50,000#
 ADJUSTABLE 3" PINTLE EYE
 SAFETY CHAINS WITH HOOKS
 25,000# (2) TWO SPEED LANDING LEG
 LOCKABLE TOOL BOX
 8" HEAD BOARD
 29'-0" DECK (24'-0" FLAT; 5'-0" BEAVERTAIL)
 32 3/4" LOADED DECK HEIGHT
 1/4" FLOOR PLATE OVER WHEEL WELLS

SELF CLEANING BEAVERTAIL OUTSIDE OF MAINBEAMS
 2' APITONG BETWEEN MAINBEAMS ON BEAVERTAIL
 TIRES: 215/75R17.5
 WHEELS: CAST SPOKE
 SELF CLEANING SPRING ASSISTED REAR RAMP
 HUTCH SPRING SUSPENSION
 4 LASH RINGS EACH SIDE
 TRAILER REQUIRES PIGTAIL BETWEEN TRUCK AND TRAILER (OPTIONAL)
 APITONG FLOORING



NOTE: All Specifications Subject To Change Without Notice. All Weights And Dimensions
 Approximate - Shown In A Fully Loaded Position
 Platform Heights Will Increase If Loaded At Less Than Full Capacity

ILoca Services, Inc.
 Full Service Semi Trailer Dealer

Sales Service Parts Rentals Leasing

www.semitrailers.net

1-888-736-4826